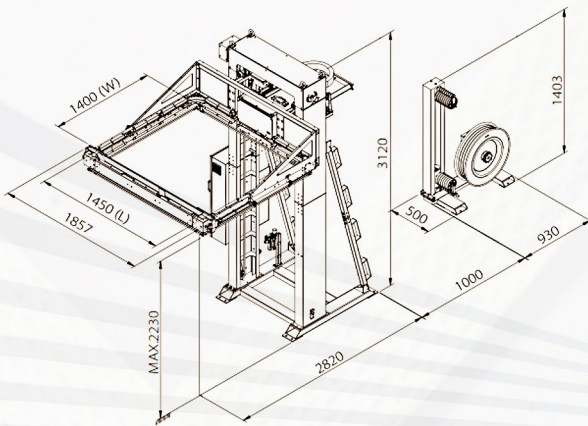


# PRESENTING STEP TP 713H

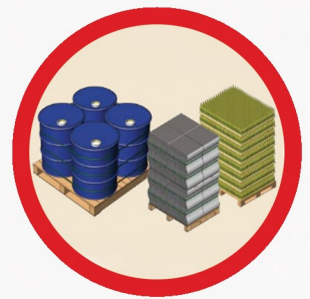
FULLY AUTOMATIC PALLET STRAPPING MACHINE



The TP 713H is specially designed for packaging applications which require **horizontal pallet strapping**.

The **touch panel** makes it very easy to configure the 10 different strapping patterns. The **safety rack** ensures that your working environment meets the highest standards.

With a **user-friendly interface** and state-of-the-art engineering, the TP 713H will reduce packaging costs and maximize efficiency in your warehouse.



SKYPE: [easy.packaging](https://www.skype.com/people/easy.packaging)

## RELATED PRODUCTS

Strap type:  
PP or PET strap

Strap width:  
9mm, 12mm and 15,5mm

Strap core size:  
406mm

**Speed:**  
**60 pallet per hour at 3 straps per pallet**

Min. strapping height:  
60mm above conveyor surface  
190mm above the floor

Net weight:  
875kg

Electrical requirements:  
220V/380V/400V 50/60Hz 3PH



PP 12 x 0.63 mm Strap Ø406



PP 9 x 0.55 mm Strap



STEP Cardboard Boxes



PET 15.5 x 0.60 Strap



STEP TP 703



PET Strap 12x0,7 ø406