

## STEP TP-702Y and STEP TP-702YA Side-Seal Strapping Machine

STEP TP-702Y and STEP TP-702YA are high speed side-seal strapping machines. With all the standard features this series processes, STEP TP-702Y and STEP TP-702YA offer high reliability and performance. They can be integrated into most production lines and be utilized with various applications.



STEP TP-702Y Automatic side-seal machine  
Item no.: 41199680



STEP TP-702YA Fully automatic side-seal machine  
Item no.: 41199690



**Control Panel with LCD Display**  
Smart LCD display show the machine condition for easy operation and maintenance.

The display is very user friendly.

Customer care. Easy packaing. The STEP way.

**Robust and Compact Strapping Head**  
Without belts, clutches or pulleys. The STEP TP-207Y and STEP TP-207YA s head has a compact design.

This greatly minimizes the number of moving parts and maintenance cost.

Simple and effective. The STEP way.



Cycle speed is up to 60 straps per minute.

Use the latest DC brushless motor technology to provide the highest level of accuracy and reliability on the market.

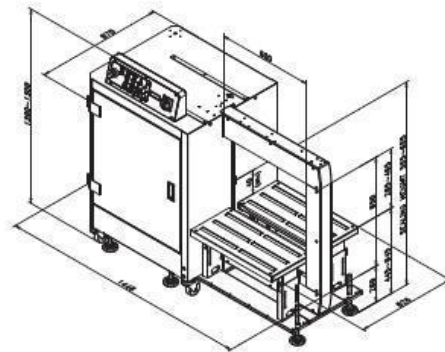
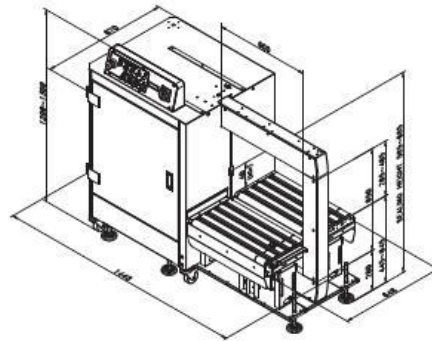
Unblock the guides enabling free and quick access to the strap guides without the use of any tools. The most maintenance-friendly design.

The position of strap dispenser is inside the machine frame. It's convenient and energy-saving to change the coil of strap.

STEP TP-207Y and STEP TP-207YA are suitable for applications that require high production efficiency.

With side-mounted strapping head, they are also applicable in dusty working conditions such as sawmill plants, brick and tile industries. The wide range of arch sizes make them the perfect solution.

- Without adjustable roller Table (STEP TP-702Y-XT)
- End of cycle and strapping error signals (STEP TP-702Y / STEP TP-702Y-XT)
- Siemens PLC control (STEP TP-702YA)
- Operator friendly low strap sensor (triple lamp) (STEP TP-702YA)
- Energy saving transit with auto sleep mode (STEP TP-702YA)
- Press bar (STEP TP-702YA)
- Side pusher (STEP TP-702YA)



Strap Type	P.P. Strap
Strap Width	5mm, 6mm, 9mm or 12mm
Strap Tension	1 – 31 kg (for 5mm, 6mm and 9mm) 1 – 45 kg (for 12mm)
Conveyor Speed	Up to 60 strap/minute (TP-702Y) Up to 35 package/minute (TP-702YA)
Net Weight	294 kg (TP-702Y) 281 kg (TP-702YA)
Electrical Requirements	110V, 220V, 230V 50/60Hz 1PH