

STEP TP-6000CE1

Semi-Automatic Strapping Machine

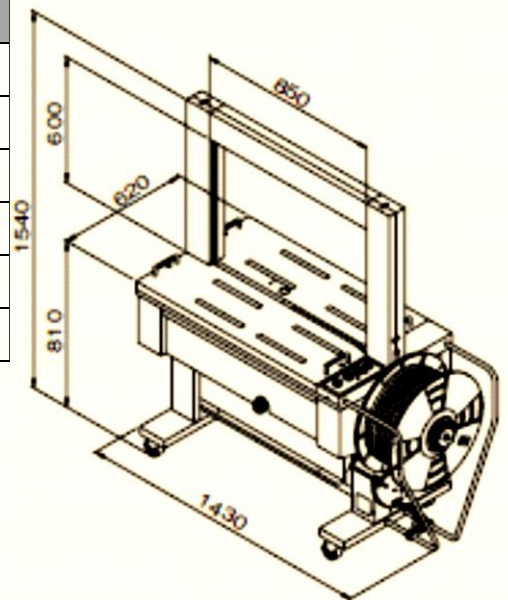
The STEP TP-6000CE1 is an economical strapping machine for wide straps (8mm-15,5mm). With proven quality and competitive price, it's the most cost effective solution for wide straps general purpose application.

Features

- Easy operation, simple maintenance.
- Various Applications
- Mechanical outside tension control.
- Adjustment strap can be easily set with the turn of a dial. Easy operation. The Sal-Tech way.
- Affordable for every budget.
- Set for 12mm strap.
- Ask for solution for BIG PROJECTS. We will modify the arch size for bigger strapping projects.



41000342	STEP TP6000CE1 Standard	2.682Euro/19.900DKK
4100362	STEP TP6000CE1 850x1000	3.769Euro/28.060DKK
4100372	STEP TP6000CE1 850x1200	4.093Euro/30.500DKK
4100442	STEP TP6000CE1 1050x600	3.623Euro/27.000DKK
4100452	STEP TP6000CE1 1050x800	3.958Euro/29.500DKK
4100542	STEP TP6000CE1 1250x600	4.160Euro/31.000DKK
4100642	STEP TP6000CE1 1450x600	4.696Euro/35.000DKK



**Not big enough? Ask for
our BIG PROJECT
solution!**

Specifications STEP TP-6000CE1 (Standard)	
Strap Type	P.P. Strap
Strap Width	9 mm – 15.5 mm
Strap Tension	10 kg – 70 kg
Conveyor Speed	27 straps per minute
Net Weight	220
Electrical Requirements	Single Phase According to Local Standard